

Instructions for use

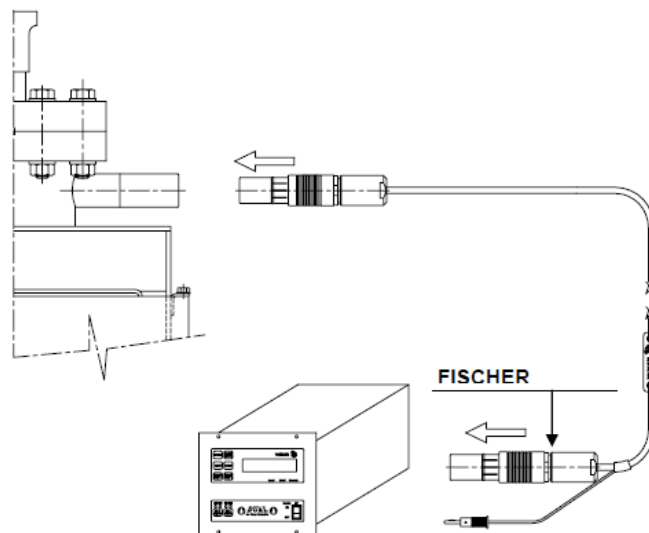
Agilent H.V. Radiation Resistant Cable with Interlock/Fischer

Product Name	Part Number
H.V. Bakeable Radiation Resistant Cable (4 m, with Interlock/Fischer connector)	9290705
H.V. Bakeable Radiation Resistant Cable (7 m, with Interlock/Fischer connector)	9290707
H.V. Bakeable Radiation Resistant Cable (10 m, with Interlock/Fischer connector)	9290708
H.V. Bakeable Radiation Resistant Cable (20 m, with Interlock/Fischer connector)	9290709



SPECIFICATIONS

Operating voltage	7,5 kV.DC
Max temperature	-20°C / +220°C
Radiation resistance	10 E 9 rads
Minimum bending radius	60 mm
Net weight	lbs 0.95 (Kg 0.43)



Instructions for use

Disposal

The following symbol is applied in accordance with the EC WEEE (Waste Electrical and Electronic Equipment) Directive. This symbol (valid only in countries of the European Community) indicates that the product it applies to must NOT be disposed of together with ordinary domestic or industrial waste but must be sent to a differentiated waste collection system. The end user is therefore invited to contact the supplier of the device, whether the Parent Company or a retailer, to initiate the collection and disposal process after checking the contractual terms and conditions of sale.



For more information refer to:

<http://www.agilent.com/environment/product/index.shtml>

Customer Support & Service:

NORTH AMERICA:

Toll Free: 800 882 7426
vpl-ra@agilent.com
Lexington-service@agilent.com

EUROPE:

Toll Free: 00 800 234 234 00
vpt-customer-care@agilent.com

PACIFIC RIM:

please visit our website for individual office information
<http://www.agilent.com/chem/vacuum>

Worldwide Web Site, Catalog and Order Online:

www.agilent.com/chem/vacuum
Representatives in most countries

This information is subject to change without notice.

© Agilent Technologies, Inc. 2026

Printed in Italy, 03/2026

87-900-100-01 (D.00)